

AZ L26

con cartuccia joystick

codice  
code

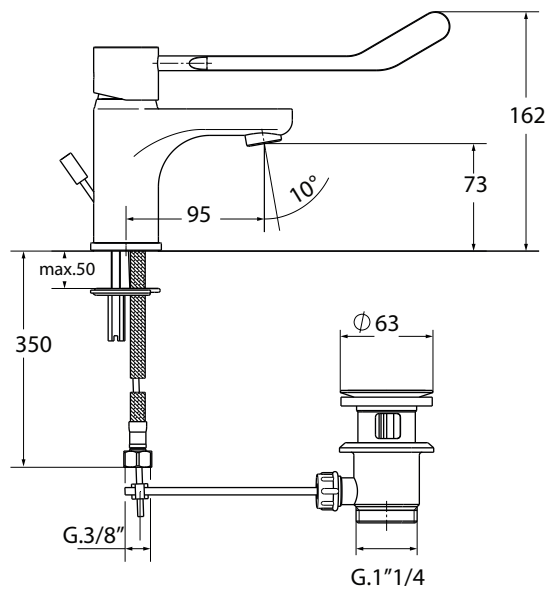


Lavabo leva clinica  
Clinical lever washbasin mixer

AZ L26

CM box 40x20 x h7

kg 1,6



scala/scale 1:5 dimensioni/dimensions in mm

Rubinetteria. Taps.



TECHNICAL SHEET n°: <b>01</b>	DESIGNER: <b>ANGELETTI RUZZA</b>	CODE: <b>AZ L26</b>	Azzurra sanitari in ceramica S.p.a. via Civita Castellana snc 01030 Castel S.Elia (VT) - ITALY Tel.+39.0761 518155 Fax.+39.0761 514560		
SHEET FORMAT: <b>A4</b>	ISO	REVISION: <b>02</b>	SCALE: <b>1:5</b>	DATE: <b>08/10/2019</b>	
REGULATIONS All the measurements respect the tolerances provided by the "AZZURRA QUALITY GUIDELINES".					